

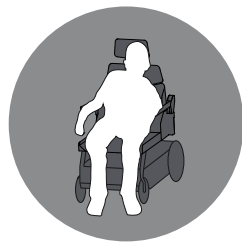


**Avanti**<sup>®</sup>  
by AJ



**ADJUSTABLE SEATING CONCEPT  
FOR ELECTRIC WHEELCHAIRS**

When flexibility is standard



## FLEXIBILITY AND COMFORT

Avanti by AJ is a totally new seating concept for electric wheelchairs - and a direct response to new needs in the market.

Users want aesthetics and comfort in one and the same seat. The seat must also be easy for care and technical personnel and dealers to adjust - and it can be efficiently adapted to individual needs for both big and small.

Avanti by AJ is a modular and ergonomic seat concept which can compete on design, flexibility, comfort and price.

With its simple design, the seat handles even the most demanding user's needs - and it can be installed on the great majority of wheelchair brands.

Avanti by AJ consists of a tripartite back section which is easily adjustable in both height and width to accommodate persons of different sizes and builds.

The seat is adjustable in both width and depth - and the patented flexible hip joint ensures that the back rest naturally follows the body's ergonomics when leaning forward and back.

Avanti by AJ complies with all relevant requirements of the Medical Directive EEC 93/42.

Welcome to Avanti by AJ.



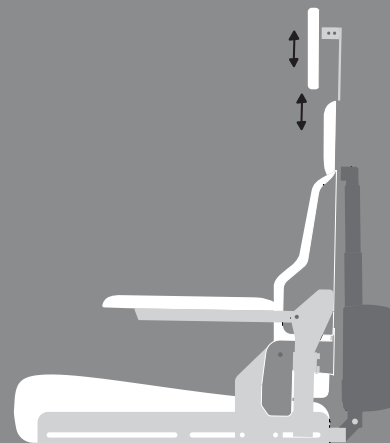


## WHEN FLEXIBILITY IS STANDARD

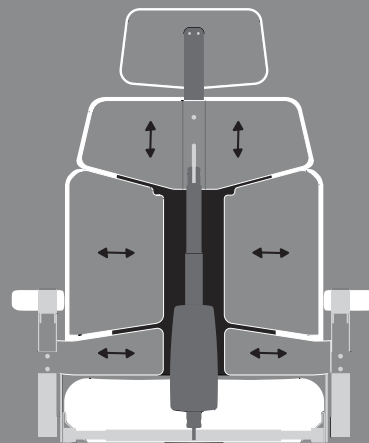
Avanti by AJ's modular construction makes it easy to adapt the chair to individual needs. Both seat and back can be adjusted, so users - irrespective of size - sit ergonomically correctly and comfortably.

When you choose an Avanti by AJ seat, you will gain these advantages as standard:

- Adjustable seat with extension panel for adjustment of both width and depth
- Ergonomic and patented hip hinge so the user always has optimal back and loin support, whatever the inclination of the seat's back
- Height-adjustable neck support which can be further adjusted to right/left and easily tilted forward
- Height-adjustable armrest which can be angled for extra comfort - and swung up when the user is being moved sideways
- Adjustable seat and back cushions. All cushions and coverings are removable and therefore easy to clean



Standard shoulder panel:  
Back height: 49½, 52 and 57 cm



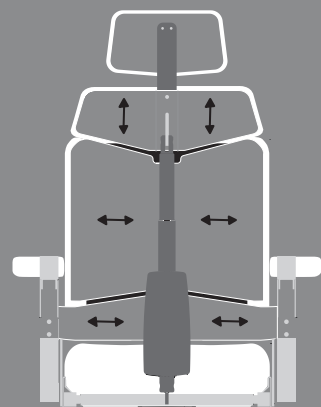
Standard shoulder panel:  
Seat width: 35, 40, 45, 50 and 55 cm

## ACCESSORIES FOR BIG AND SMALL NEEDS

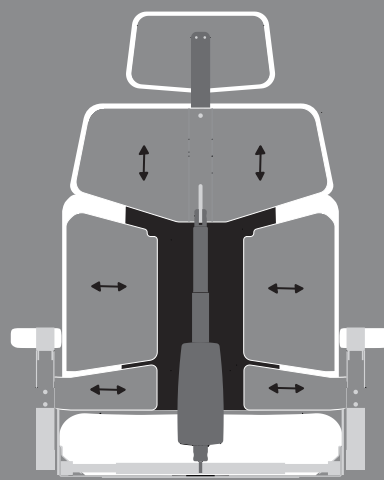
Avanti by AJ can be adapted to big and small users merely by changing the shoulder panel to small or large size.

Extra accessories which you can easily fit yourself:

- Shoulder panel for very small/large users
- Extended neck support for added comfort
- Small neck cushion for small needs
- Armrest cushion 30 centimetres long
- Leg and thigh supports
- Elbow and side supports
- Tables

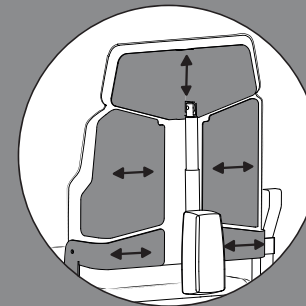


Narrow shoulder panel:  
Seat width: 35, 40, 45, 50 and 55 cm  
Back height: 48½, 51 and 56 cm

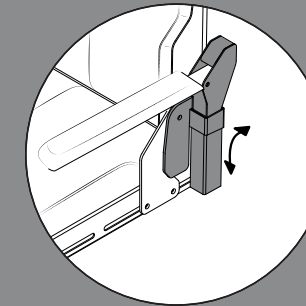


Large shoulder panel:  
Seat width: 35, 40, 45, 50 and 55 cm  
Back height: 52½, 55 and 60 cm

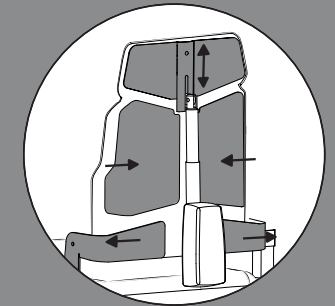
### 01 | THE BACK



Two adjustable back supports adjust the back width while a shoulder panel ensures individual adjustment of back height.

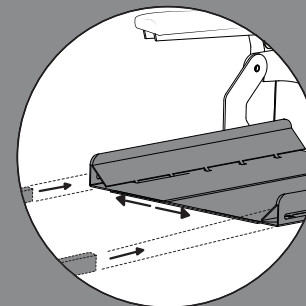


A flexible hip joint ensures a perfect ergonomic sitting posture when leaning back. The lumbar support can be changed and even adjusted up and down.

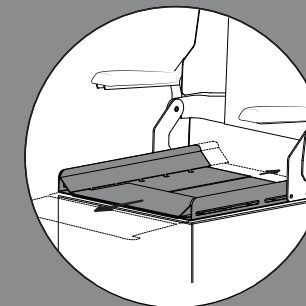


The flexible construction ensures that all types of body can be accommodated irrespective of whether the body is narrow or wide - or e.g. narrow above and wide below. Narrow and large shoulder panels are available as accessories.

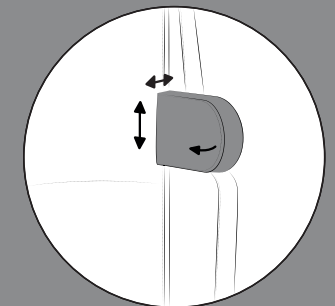
### 02 | THE SEAT



Adjustable side panels ensure that the seat can be adjusted in steps in widths from 35, 40, 45 and 50 cm. Extra equipment, e.g. leg supports, is installed in the side panel's triangle profile.

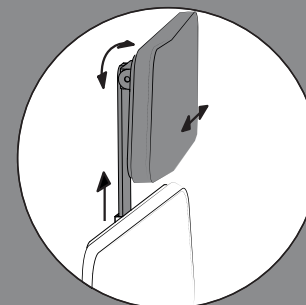


A movable extension panel ensures that the seat's depth can be adjusted. The seat can be further adjusted to the rear. It is fixed to the wheelchair with screws.

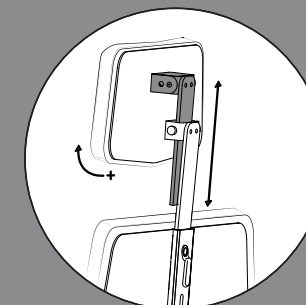


The lateral support can be adjusted in both height and width, and even shaped for personal adaptation for special needs. The lateral support, which can be fitted in both right and left sides, is an accessory.

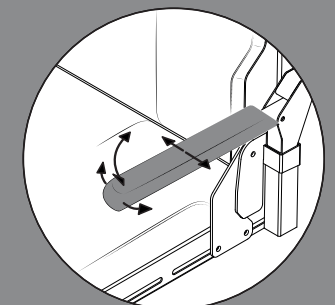
### 04 | THE NECK SUPPORT



The neck support height can be adjusted with a release handle as standard. Width and depth can also be adjusted and it can easily be tilted for individual comfort. The neck support is supplied in small version as an accessory.

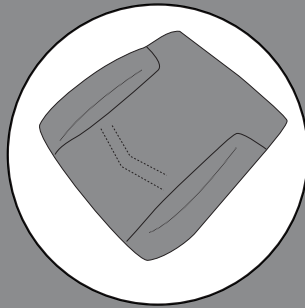


Extended neck support makes it possible to adapt the chair to tall persons - and with an extra joint the neck cushion can be angled even further forward for extra comfort.

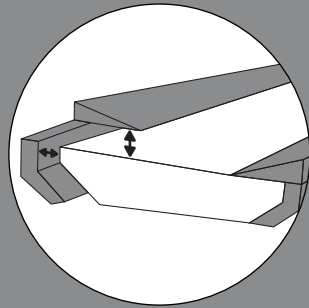


The armrest is height adjustable and can be angled both below and above the horizontal, and ensures easy lateral displacement of the user. Armrest pad can be adjusted laterally and angled for optimum comfort. Armrests are 40 cm respectively 30 cm from the steering box.

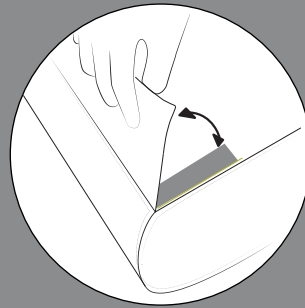
## 06 | SEAT CUSHIONS



The modular construction of the seat cushion means that it can easily be adapted to varying widths. Seat cushions are fitted with Velcro.



The seat consists of a central cushion, two side pieces and two top wedges for extra sitting comfort. The side pieces are easily detached, and if a small cushion is needed, a small centre cushion can be obtained as an accessory.



The detachable cover is fitted with Velcro closing which is easily opened, adjusted and closed so that the seat width is correct, and the cover can easily be washed.

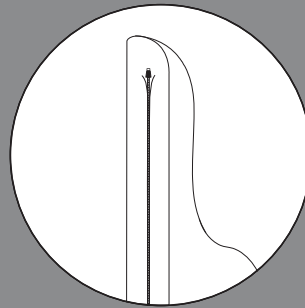
## 07 | BACK AND SHOULDER CUSHIONS



The modular construction makes it easy to adapt the back cushion's width.

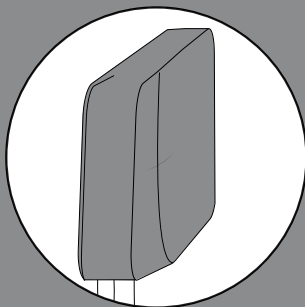


The back consists of a centre cushion and two side wedges which are easily fitted against the back support with Velcro. A shoulder cushion ensures good comfort for the user. It is fixed and remains in position.

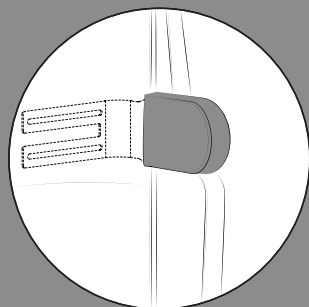


The cover has a zip and Velcro closing which is easily opened, adjusted and closed so that it fits the desired cushion width precisely. The cover is also easy to wash.

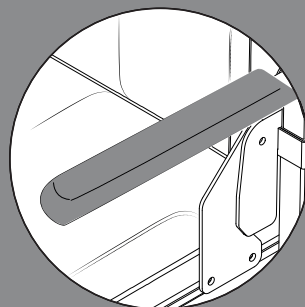
## 08 | CUSHIONS FOR NECK AND LATERAL SUPPORT AND ARMREST



The neck support cushion is curved for optimal comfort. It is easily removed and replaced with Velcro.



Cushions for lateral support are covered with leather which is easy to clean - and can be removed with a zip.



The armrest cushions are also covered with leather and are therefore durable and easy to clean.

## TEXTILE

Avanti by AJ is upholstered in hard-wearing Gabriel Omega on the contact surfaces against seat and back. The textile offers:

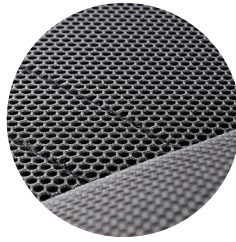
- Two-tone mesh fabric in grey/black
- A modern and sporty look
- Designed as self-supporting textile surfaces
- Airy and stable net structure
- Stable stretch qualities
- 100% recyclable
- Oeko-Tex 100 certified

## EASY MAINTENANCE

- Omega is made of polyester, a synthetic material suitable for environments with special cleaning requirements.
- Washable at 40/60°C by hand or in a washing machine. Maximum shrinkage 4.5%







## WHEN FLEXIBILITY IS STANDARD

The seating concept was designed by DESIGN CONCERN

Avanti by AJ  
- a new seating concept is born.

If successful new products are to be developed, it's important to listen to the needs of users and the market.

Avanti by AJ was created in close collaboration with users, experts and specialists. The seating concept faces a new agenda, where a high level of functionality, quality, comfort, aesthetics and price must be combined in a higher harmony.

With Avanti by AJ, we have attempted throughout the development process to meet the needs of users, care-givers, the technical personnel and buyers.

Avanti by AJ is naturally 100% recyclable and the seat has been tested for flammability under ISO EN 1021-1/ISO EN 1021-2.

We hope you'll be happy with Avanti by AJ.